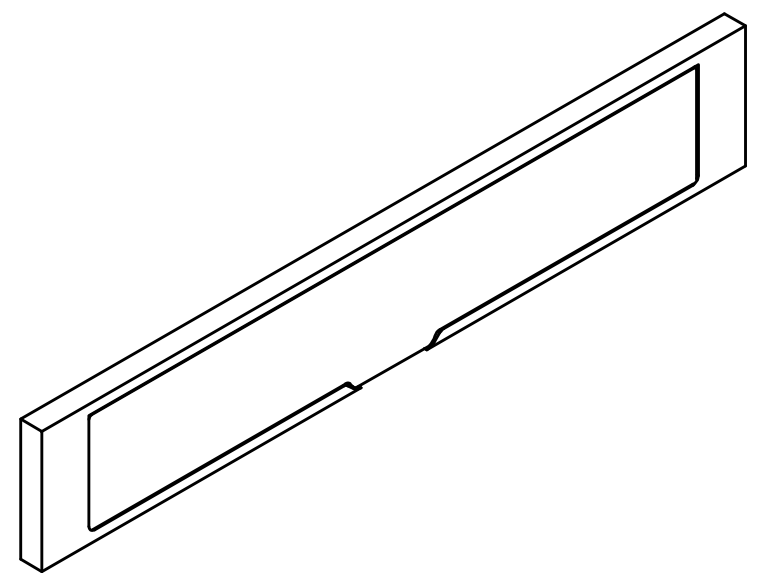
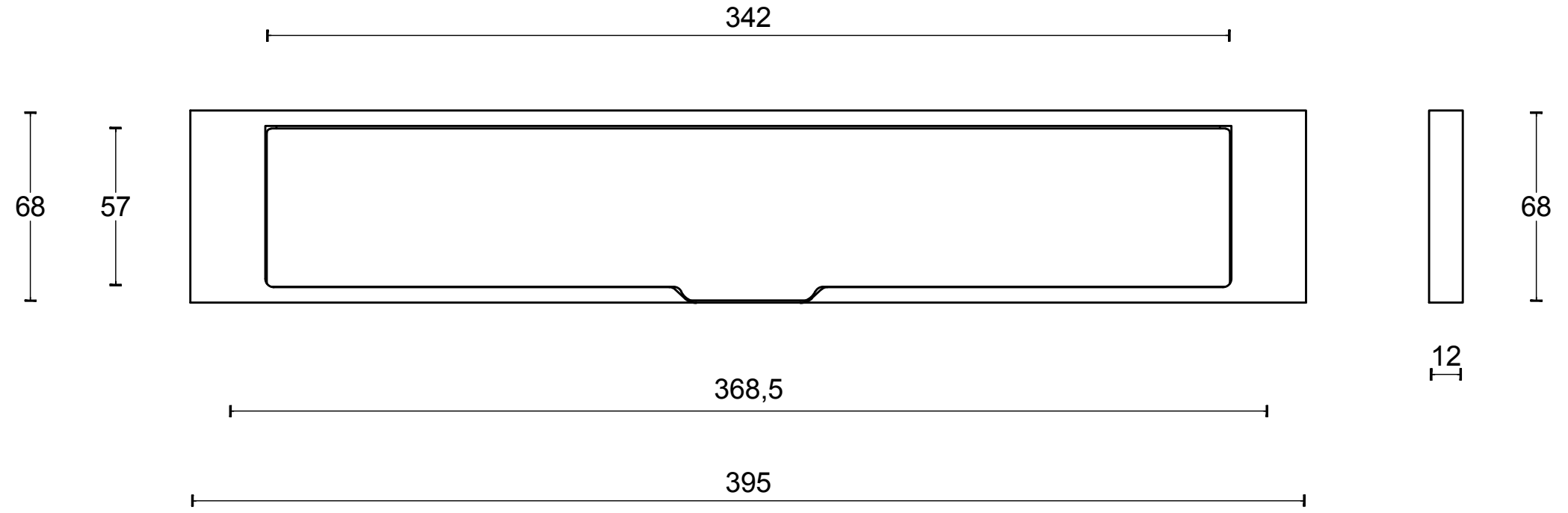
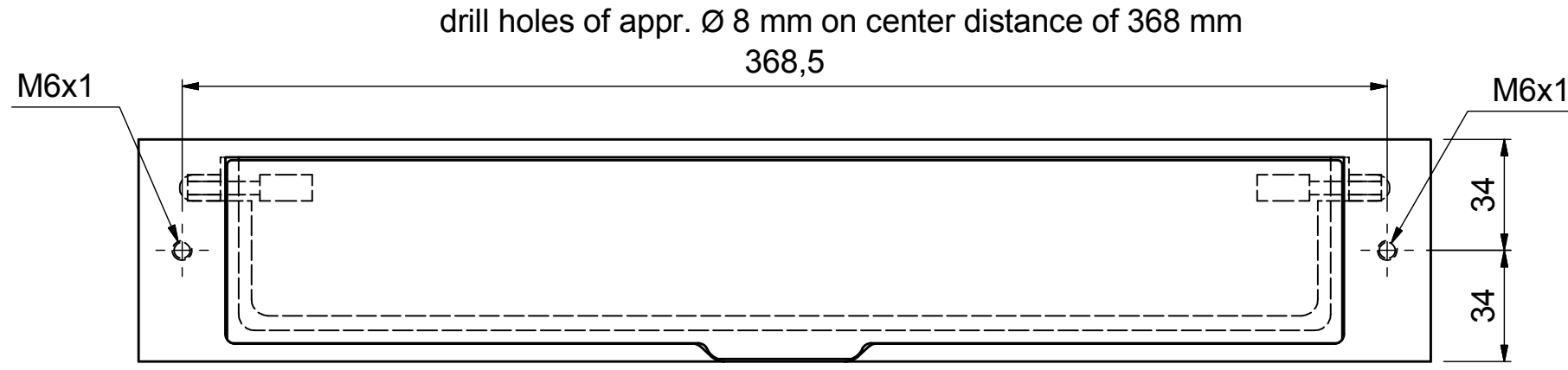


# LSQ380

solid letter plate  
stainless steel



|  |                         |              |                |
|--|-------------------------|--------------|----------------|
| FORMANI®   |                         | Part number: |                |
|  |                         | Description: |                |
| Doc no.:   | 1502Z004 LSQ380 V02.dwg | LSQ380       | Format:        |
| Drawn by:  | Christian               |              | Creation date: |
| A3   |                         |              |                |
| Formani Holland B.V. · Amerikalaan 55 · 6199 AE Maastricht Airport · tel: +31 (0)43 308 90 00 · www.formani.nl · info@formani.nl |                         |              |                |